

Phillip C. Daikos

6 Ruby Lane
East Hanover, NJ
07936

Phone: (973) 585-7066
Voicemail: (516) 398-0350
E-Mail: daikosart@optonline.com

On-Line portfolio: <http://daikosart.tripod.com/portfolio/pfmain.html>

SUMMARY OF QUALIFICATIONS:

- Graphic layout
- Visual communication
- Illustration/pictorial problem solving
- Computer graphics imaging
- Corporate identity design
- MS Web design/HTML

WORK EXPERIENCE:

Product Design & Typesetting

Don McDonald & Sons, Inc.

January 2002 - Present
New York City, NY

- Typeset tombstones for all kinds and sizes of investment banking deals.
- Adhere to strict layout styles for all major international banks.
- Create scale technical drawings of lucite and non-lucite deal gifts, such as hats, bags, etc.
- Ensure art is in proper format for CAD process.
- Pre-press type and artwork for 4-color and Pantone spot color printing.
- Recreate client company logos in Illustrator vector art when not supplied.

Freelance Logo & Promotional Card Designer

Tradedent Inc.

Feb. 2000 - Jan. 2003
New York City, NY

Modernized company logo in Photoshop

- Created animated banner ad with HTML and GIF utilities.
- Created promotional post card for Northeast and Florida healthcare markets.
- <http://www.tradedent.com>

Ad Designer

Yellow Book, USA

May 2000 - July 2001
Rockville Centre, NY

- Custom made borders and clip art for advertisements, color- and quality-corrected customer supplied images for ad placement using Photoshop.
- Utilized PageMaker and Illustrator while integrating type & images to create dynamic yellow page advertisements.
- Worked with account representatives and clients to ensure advertisements correctly conveyed the corporate image of the client.

COMPUTER SKILLS:

- All Adobe Creative Suite Print Applications
- Adobe Illustrator 9 & 10
- Adobe Photoshop 6 & 7
- Adobe PageMaker 6.5
- MS Word 2003
- Word-processing
- Excellent Windows95/98/XP & Mac OS 9 & OSX skills.
- HTML programming
- Adobe Acrobat 5
- Quark X-Press 4
- Excel 2003
- Microsoft FrontPage

EDUCATION:

1995-2000: School of Visual Arts
Bachelor of Fine Arts: May, 2000

New York City, NY

Natural

1. This Is Where The Party's At
2. I'll Be Back For More
3. Human
4. Still Gotta Live With Myself
5. Blue
6. Runaway
7. Put Your Arms Around Me
8. The Longest Time / Middle Of The Night
9. Love Like That
10. Daydream Believer (feat. The Monkees)



LIVE 2001



The Monkees:
Peter Tork
Davy Jones
Micky Dolenz

THE MONKEES

LIVE 2001

WESTBURY MUSIC FAIR

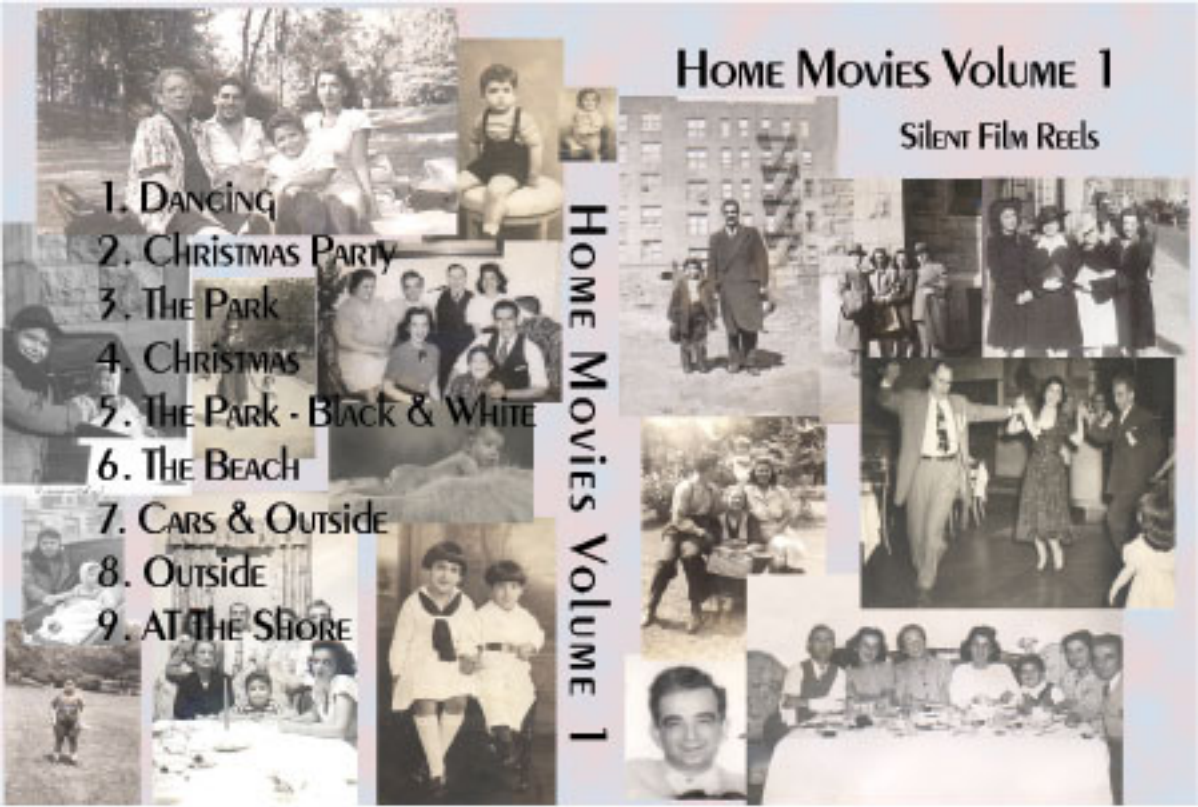


HOME MOVIES VOLUME 1

Silent Film Reels

1. DANCING
2. CHRISTMAS PARTY
3. THE PARK
4. CHRISTMAS
5. THE PARK - BLACK & WHITE
6. THE BEACH
7. CARS & OUTSIDE
8. OUTSIDE
9. AT THE SHORE

HOME MOVIES VOLUME 1



Printed at 80%

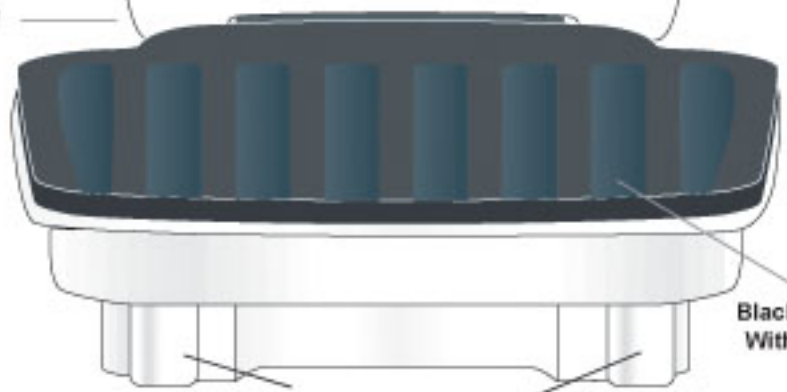
Front View
(Shown Open)

Black Plexi
Inside Top
5.25" Width
x 5" Height



6 Color Laser Cut Silver Plate
Tombstone Inside Top

Working Hinge



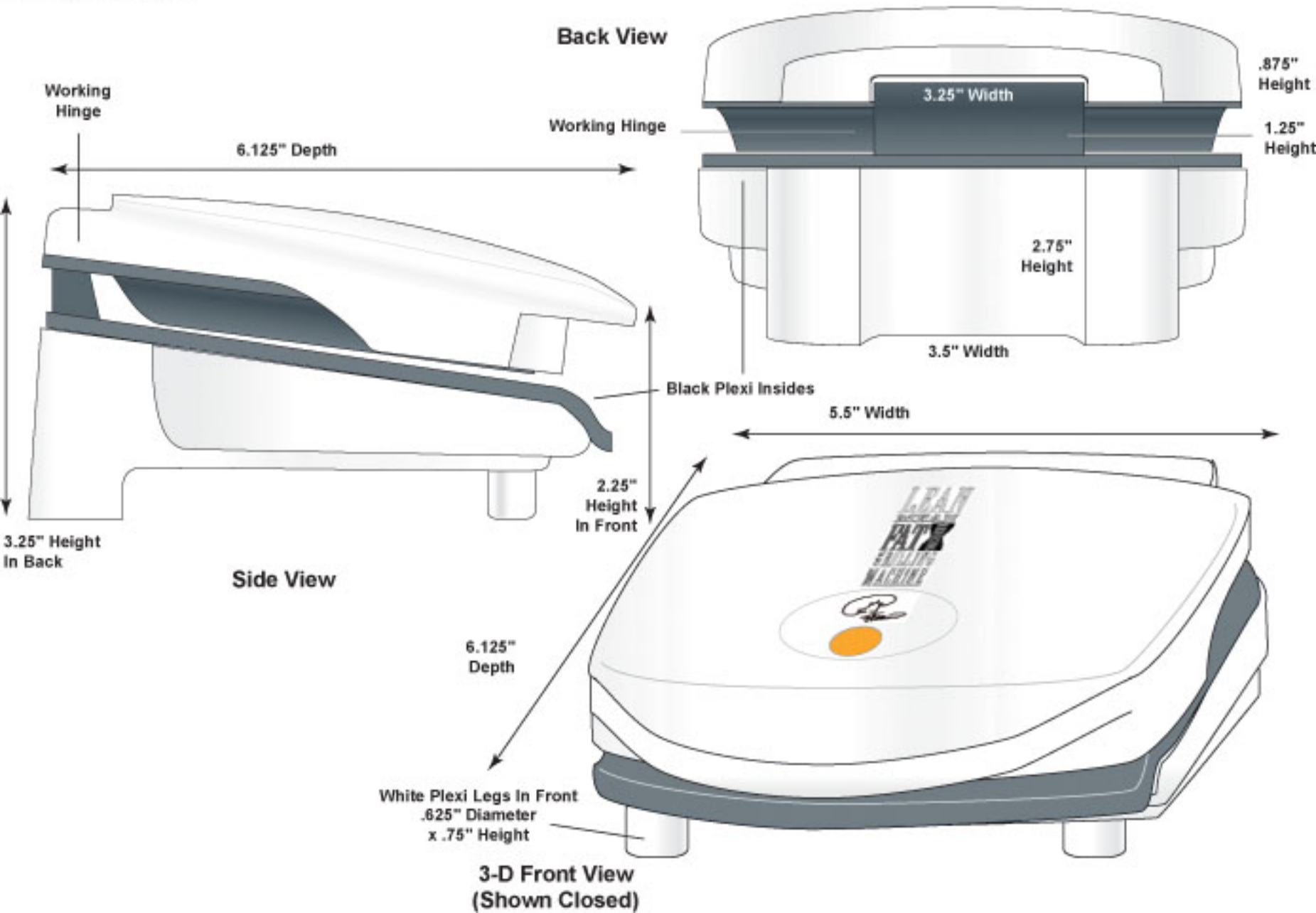
White Plexi Legs In Front
.625" Diameter
x .75" Height

5.5" Width
2 Color Surface Screened
Logo & Signature On Top



6.125"
Depth

Top View



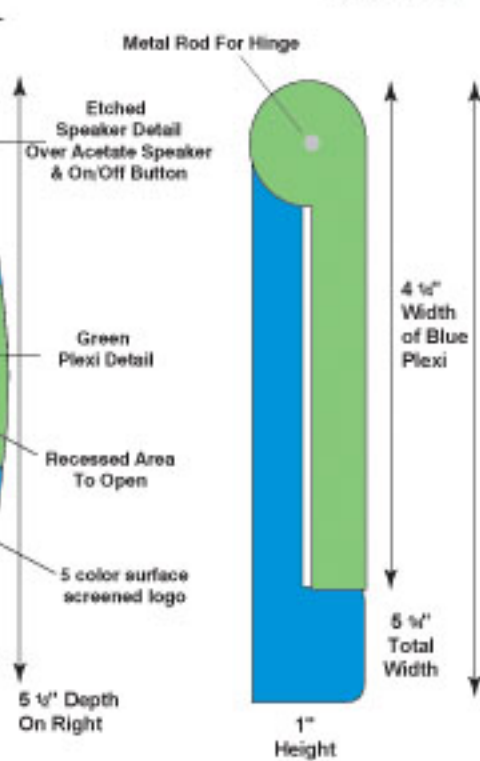
3D Lucite Leap Frog Book

Top View (Closed)



29835_LeapFrog_SK3.eps

Side View



3D Lucite Leap Frog Book

Top View (Open)

